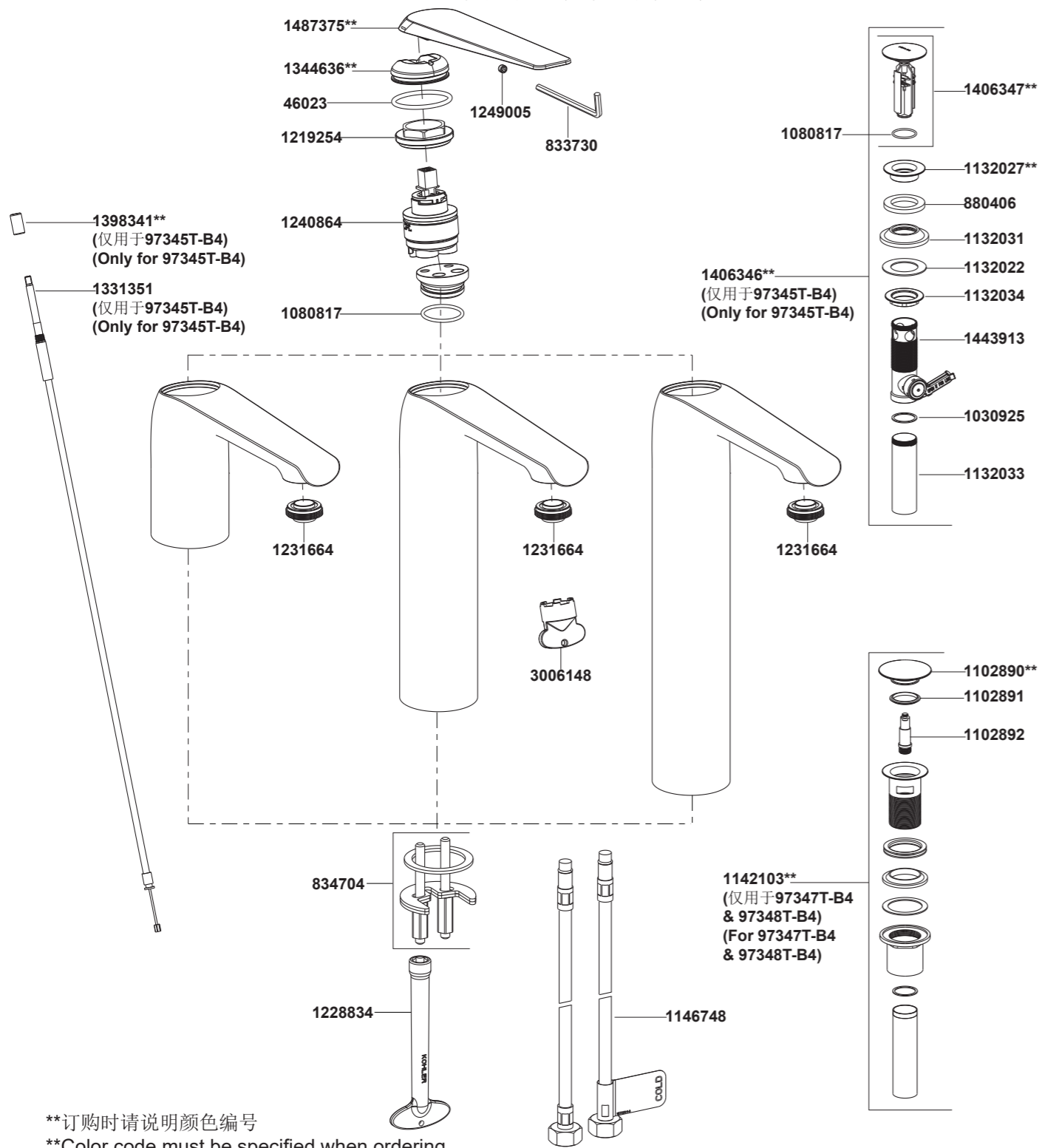


- 97345T-B4 单把脸盆龙头
- 97347T-B4 单把碗盆龙头
- 97348T-B4 单把碗盆龙头(高出水口)



\*\*订购时请说明颜色编号  
\*\*Color code must be specified when ordering

- 97345T-B4 单把脸盆龙头
- 97347T-B4 单把碗盆龙头
- 97348T-B4 单把碗盆龙头(高出水口)

### 安装之前

所有的资料是按最新发布的产品资料编写而成。科勒公司保留任何时候不经通知即可改变产品特性、包装或产品可供类型的权利。

说明书包括重要的安装、保养及清洁方面的内容，请把这些资料交给用户阅读。

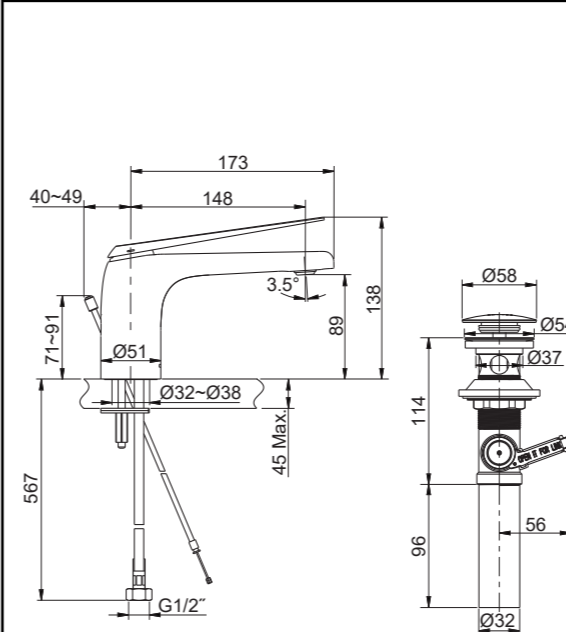
#### 注意事项：

1. 一定要先彻底冲洗供水管以清除管道中的杂质。
2. 尽可能在安装脸盆之前安装水龙头。
3. 检查供水管有无损坏和漏水。如需要，进行替换和维修。
4. 遵守当地管路安装条例。
5. 切断供水管路。

### 使用说明

轻轻提起把手，顺时针旋转把手为热水，逆时针旋转把手为冷水。

### 安装尺寸



97345T-B4

### BEFORE YOU BEGIN

All information is based on the latest product information available at the time of publication. Kohler Co. reserves the right to make changes in product characteristics, packaging, or availability at any time without notice.

Please leave these instructions for the consumer. They contain important information.

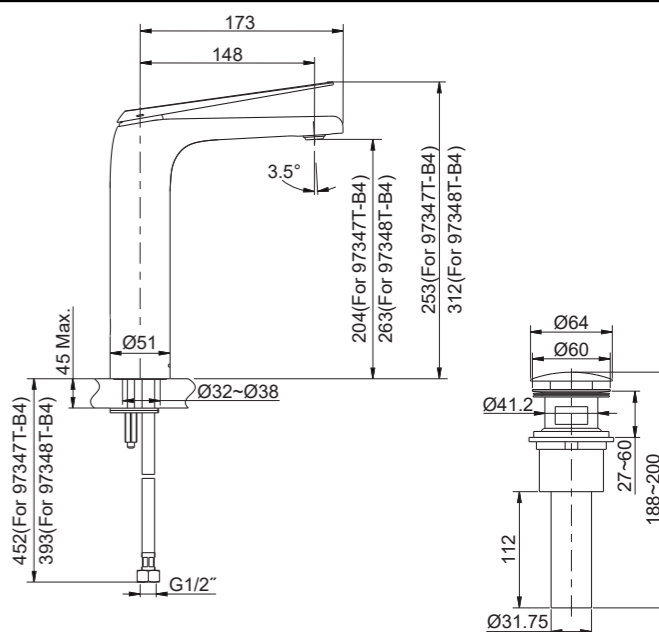
#### NOTES:

1. Flush the water supply pipes thoroughly to remove debris.
2. If possible, install this faucet before installing the lavatory.
3. Inspect the supply tubing for damage and leakage. Replace and maintain as necessary.
4. Observe local plumbing codes.
5. Shut off the water supplies to the fitting.

### HANDLE OPERATION

Lift the handle gently. Turn clockwise for hot water, turn counter-clockwise for cold water.

### ROUGH-IN DIMENSIONS



97347T-B4 & 97348T-B4

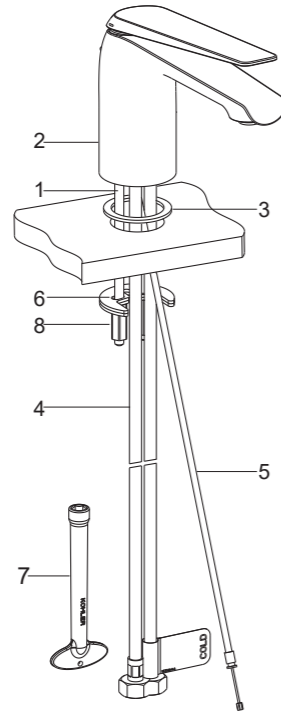
## 安装步骤

### 如何安装出水口

若因维修或其它原因拆下软管(4), 装回时手动拧紧即可。将固定螺杆(1)安装到水龙头(2)底部, 将垫片(3)穿过软管、固定螺杆和提拉线缆(5, 仅对于97345T)末端嵌入到水龙头底部槽中。

将水龙头组件插入脸盆安装孔中, 使水龙头底部接触台面。调整水龙头, 从脸盆的下方把垫片(6, 橡胶垫片放在上面)穿入固定螺杆, 并用工具(7)锁紧螺母(8)以固定水龙头。

把软管接到水源, 当您面对水龙头时左边为热水, 右边为冷水, 冷水管贴有“COLD”标签。



## INSTALLATION

### How to Install the Faucet

If need to take off the hoses(4) to repair, reinstall and tighten them by hand. Install the mounting studs(1) into the faucet(2) bottom. Slide the washer(3) over the hoses, mounting studs and cable(5, only for 97345T) until it is put into the groove of the faucet bottom.

Insert the faucet assembly into the lavatory hole until the faucet bottom is against the deck. Position the faucet. From underside of the lavatory, place the washers(6, rubber washer is on the top) onto the mounting studs, and tighten the nuts(8) with tool(7) to secure the faucet.

Attach the hoses to water supplies. When facing front of the faucet, the left hose should be connected to hot water, the right hose with with “COLD” label should be connected to cold water.

### 如何安装排水器 (仅对于97345T)

将止水塞(9)、法兰盘(10)及垫片(11)从排水本体(13)取下。把排水本体组件从脸盆下方插入排水孔中, 调整至合适的位置, 再将法兰盘(10)带垫片(11)旋到排水本体上。

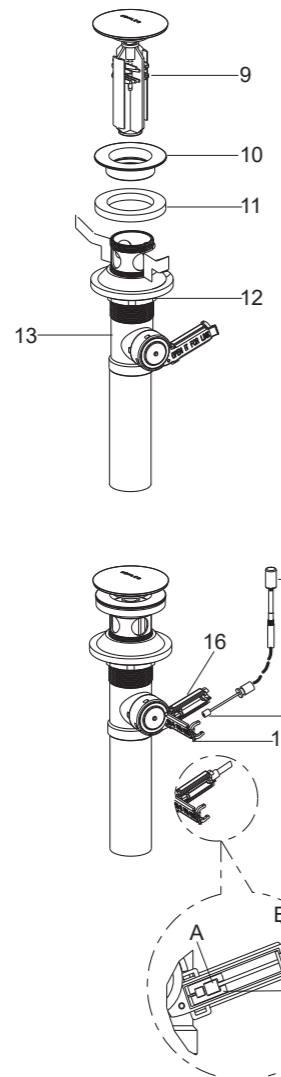
用扳手拧紧排水本体上的锁紧螺母(12)。把止水塞(9)放入排水组件。

**注意:** 如果需要, 可直接在法兰盘(10)底面沿周围涂一圈密封油灰或其它密封剂, 而不使用垫片(11)。

打开排水本体上的盖板(14), 将提拉线缆末端(15)嵌入拉线盒(16)内部的方孔(17)中。使其在拉线盒两端(A, B)卡到位, 如图所示。

然后用手扣紧盖板(14)。装好后请拉动提拉头(18), 确保其正常工作。

**注意:** 在锁紧螺母拧紧后, 如法兰盘使用密封油灰或其它密封剂, 则不可以调整排水本体位置, 否则会破坏油灰密封的密封性。同时去除多余油灰。



### How to Install the Drain (Only for 97345T)

Remove the stopper(9), flange(10) and washer(11) from the drain body(13). Insert the drain body through the drain hole from underside, and adjust the position properly. Screw the flange(10) with washer(11) onto the drain body.

Tighten the locknut(12) on the drain body with wrench. Insert the stopper(9) into the drain assembly.

**NOTE:** If needed, apply a ring of plumbers putty or other sealants around the underside of the flange(10), instead of using washer(11).

Open the coverplate(14) on the drain body, and insert cable end(15) into the square hole(17) of the cable box(16). Make sure the cable is properly buckled at both ends(A, B) of the cable box as the figure shown.

Lock the coverplate(14), and verify the lift rod(18) on the faucet is linked correctly with the drain body through the cable.

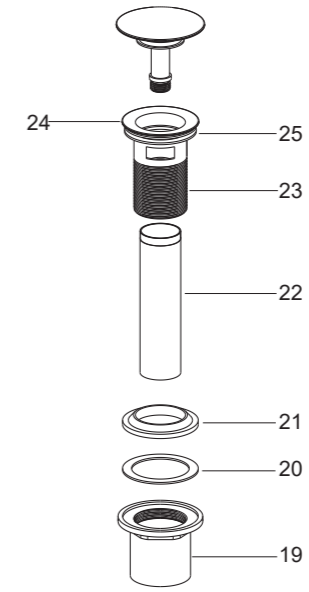
**NOTE:** Do not reposition the drain if plumbers putty or other sealants applied after the locknut is tightened, or you may break the putty seal. Wipe away excess plumbers putty.

### 如何安装排水器 (仅对于97347T & 97348T)

把锁紧螺母(19)、塑料垫片(20)、橡胶垫圈(21)和尾管(22)从排水本体(23)依次取下。在尾管螺纹处须缠绕足以密封的密封胶或涂合适的密封胶, 并装回排水本体。把排水本体从脸盆上部孔插入。再依次将橡胶垫圈(小面朝上)、塑料垫片和锁紧螺母从脸盆下方装回到排水本体上。锁紧螺母。

**注意:** 如果需要, 可直接在法兰盘(24)底面沿周围涂一圈密封油灰或其它密封剂, 而不使用垫片(25)。

在锁紧螺母拧紧后, 如法兰盘使用密封油灰或其它密封剂, 则不可以调整排水本体位置, 否则会破坏油灰密封的密封性。同时去除多余油灰。

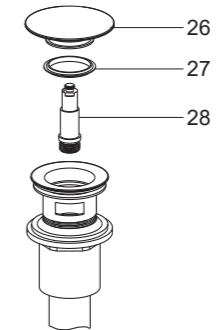


### 如何更换止水垫及活塞组件 (仅对于97347T & 97348T)

逆时针旋下止水塞(26), 然后取出止水垫(27)。更换新的止水垫。

逆时针旋下活塞组件(28), 更换新的活塞组件。

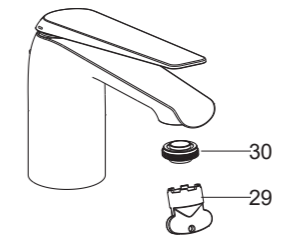
装回活塞组件、止水垫和止水塞。



## 安装结果检查

检查并确保所有衔接螺母都已拧紧, 确保把手在关闭位置。打开排水器和主要供水源, 检查是否有漏水。如有漏水, 修理之。

用起泡器工具(29)拆下起泡器(30)。打开水龙头冷热水, 让水流出约一分钟以清除杂质, 检查渗漏。冲洗起泡器, 关闭水龙头, 重新装回起泡器。



## 清洗说明

适用于所有加工处理过的表面: 以中性肥皂水清洗镀层表面, 再以干净的软布彻底擦干整个表面, 许多清洁剂, 比如氨水、去污粉及洁厕灵等, 会对电镀表面造成伤害, 切忌使用。

有磨损性的清洁用具或清洁剂也不可适用于科勒牌的水龙头及其配件上。

## How to Install the Drain (Only for 97347T & 97348T)

Remove the locknut(19), plastic washer(20), rubber gasket(21) and tailpiece(22) from the drain body(23). Supply enough tape or sealant to tailpiece thread. Reinstall the tailpiece. Insert the drain body into the lavatory. Install the rubber gasket (Tapered side up), plastic washer and locknut back to the drain body in turn. Tighten the locknut.

**NOTE:** If needed, apply a ring of plumbers putty or other sealants around the underside of the flange(24), instead of using washer(25).

Do not reposition the drain if plumbers putty or other sealants applied after the locknut is tightened, or you may break the putty seal. Wipe away excess plumbers putty.

## Replace Washer and Piston Kit (Only for 97347T & 97348T)

Turn counter-clockwise to remove the stopper(26). Take out the washer(27). Replace with a new one.

Turn counter-clockwise to remove the piston kit(28). Replace with a new one.

Reinstall piston kit, washer and stopper.

## INSTALLATION CHECKOUT

Ensure all connections are tight. Ensure the handle is in the off position. Turn on the drain and main water supply, and check for leaks. Repair as needed.

Remove the aerator(30) with key(29). Turn on the faucet. Run hot and cold water through the spout for about one minute to remove any debris. Check for leaks. Remove any debris from aerator. Shut off the faucet. Reinstall the aerator.

## CLEANING INSTRUCTIONS

All Finishes: Clean the finish with mild soap and warm water. Wipe entire surface completely dry with clean soft cloth. Many cleaners may contain chemicals, such as ammonia, chlorine, toilet cleaner etc. which could adversely affect the finish and are not recommended for cleaning.

Do not use abrasive cleaners or solvents on Kohler faucets and fittings.